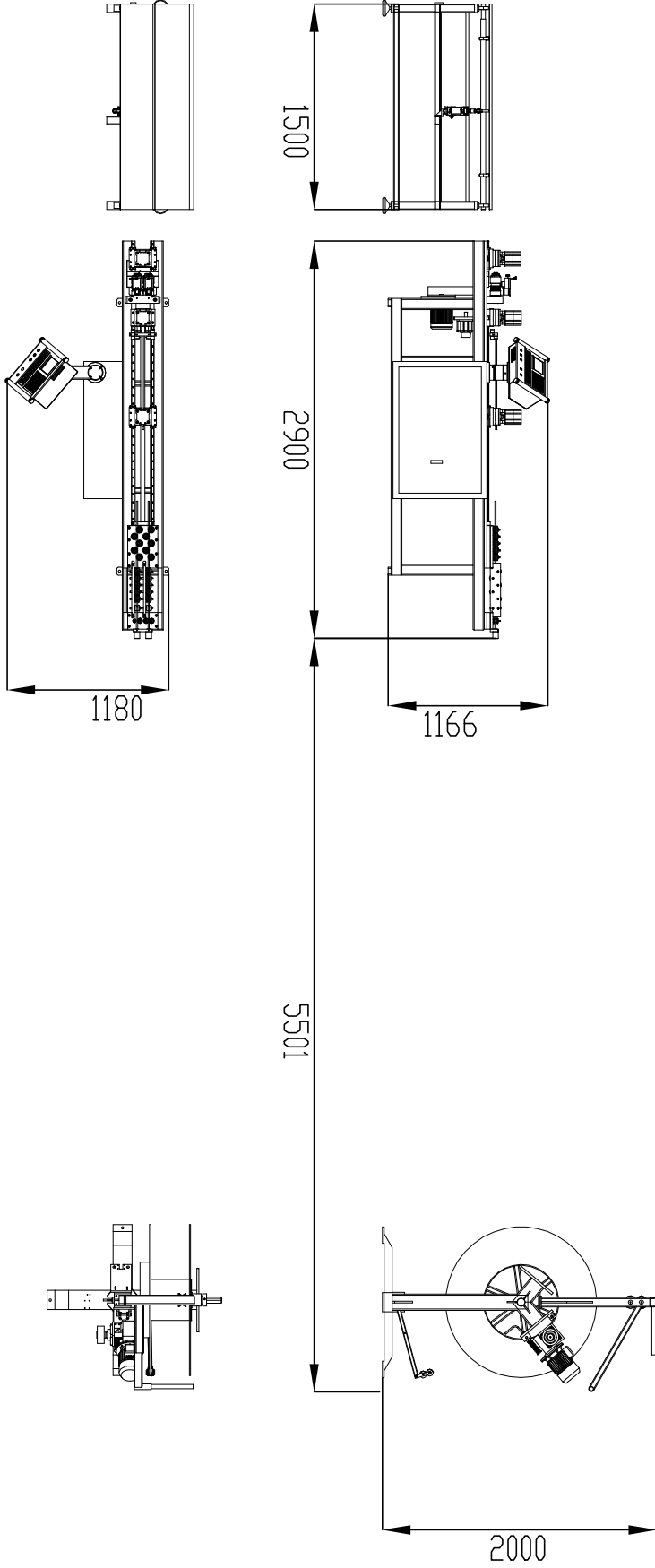
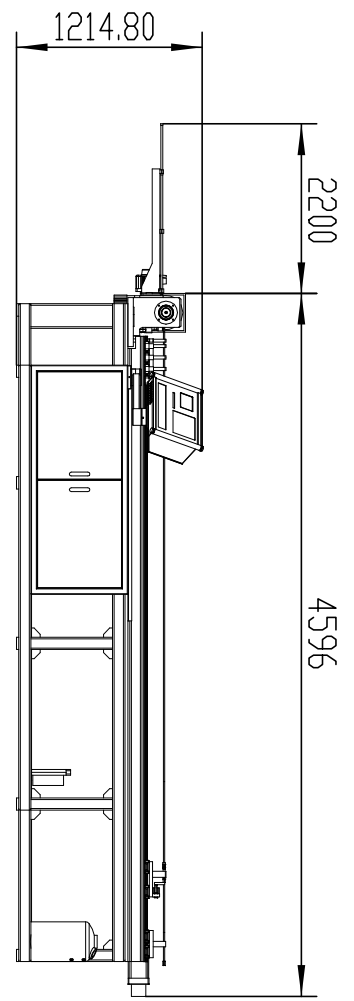
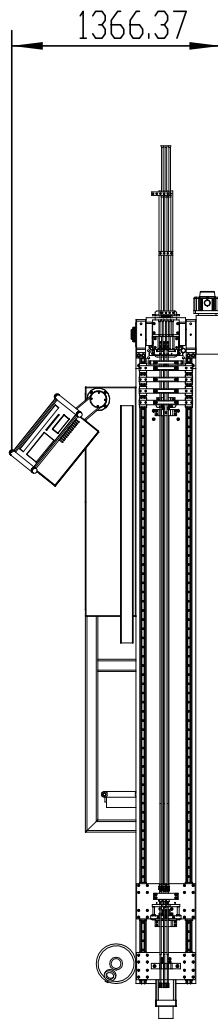


TACCM1200



TACAU5-3000-01



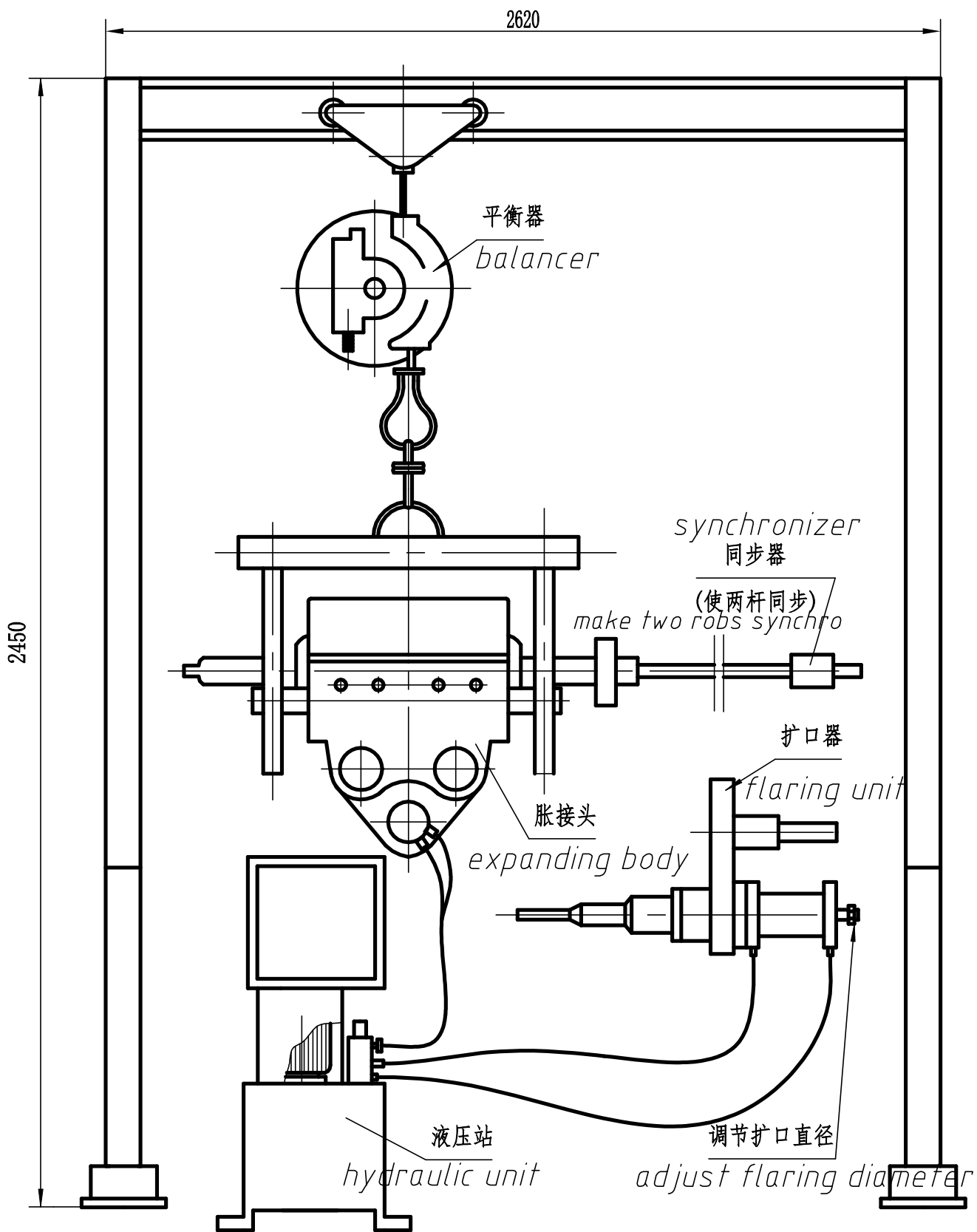
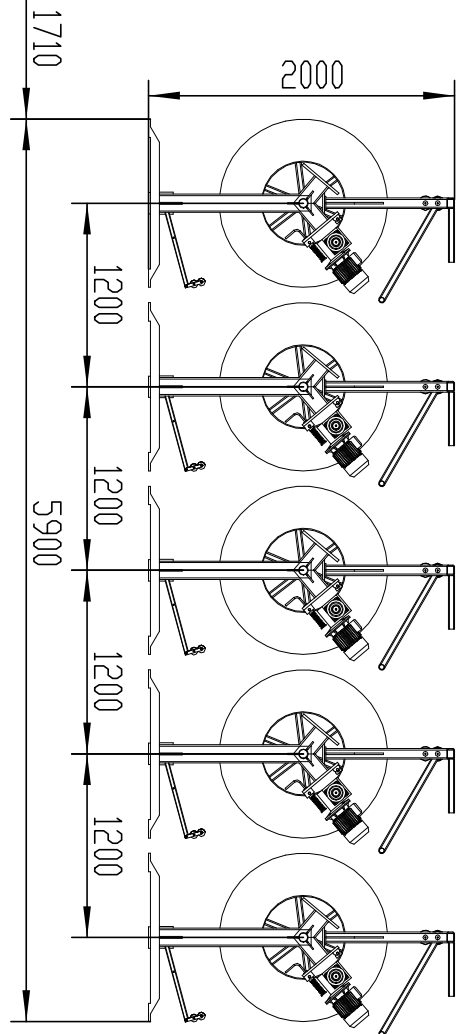
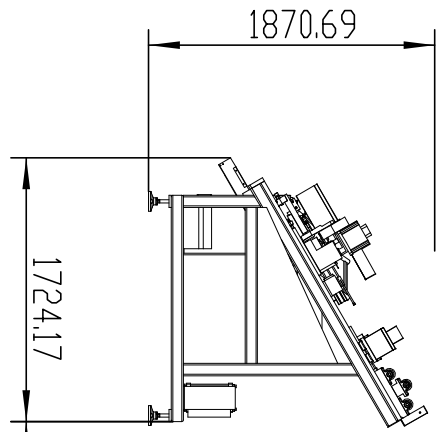
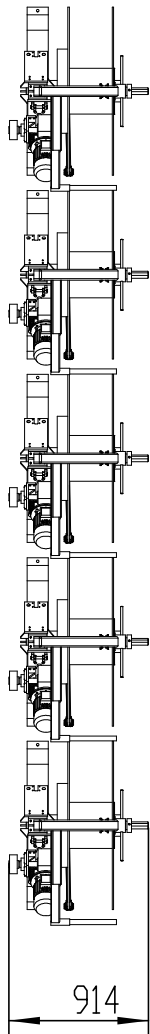
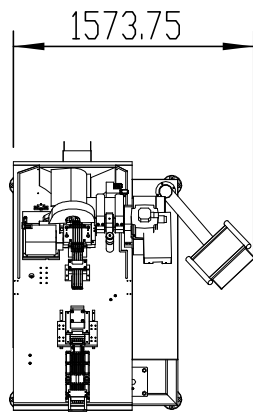


figure 1 outline drawing of portable expander



A4

